

6 5 4 3 2 1

D

D

C

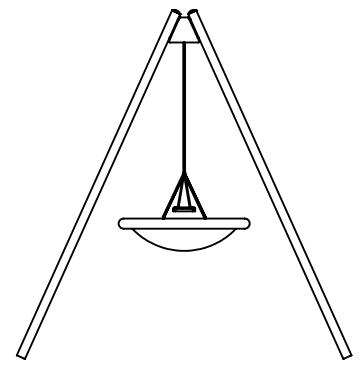
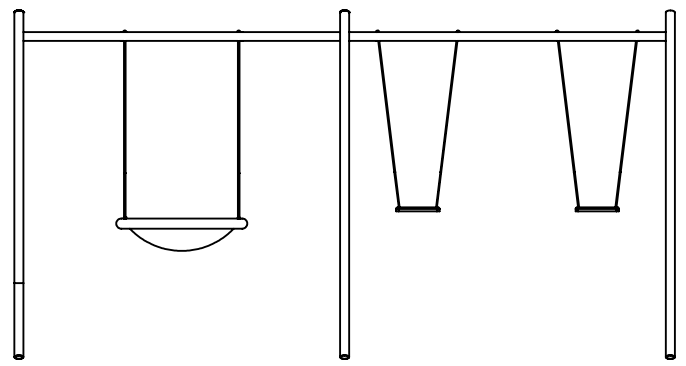
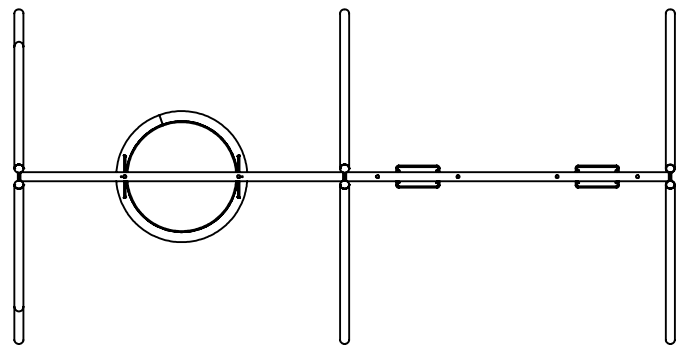
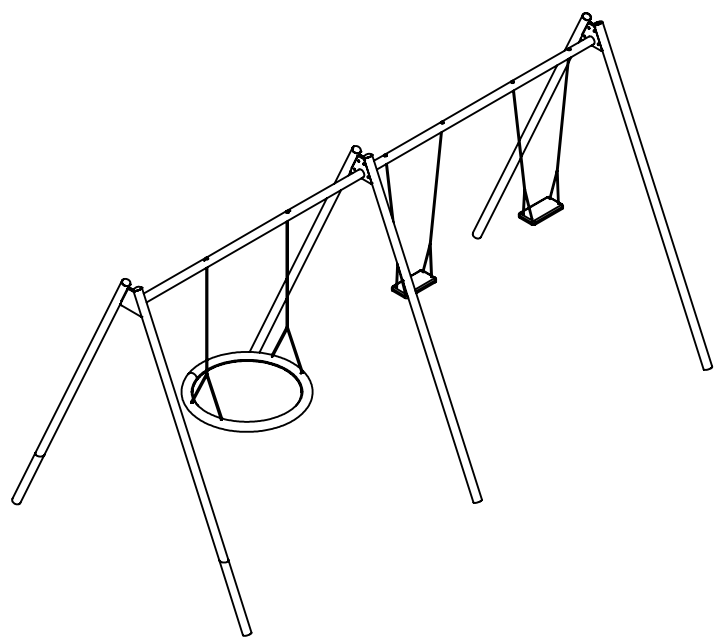
C

B

B

A

A



UNLESS OTHERWISE SPECIFIED: DIMENSIONS ARE IN MILLIMETERS SURFACE FINISH: TOLERANCES: LINEAR: ANGULAR:			FINISH:		DEBURR AND BREAK SHARP EDGES		DO NOT SCALE DRAWING		REVISION	
									TITLE:	
									DOUBLE BAY SWING	
									DWG NO.	
					MATERIAL: Material <not specified>				A4	
					WEIGHT: 321786		SCALE:1:75		SHEET 1 OF 1	

6 5 4 3 2 1