

6 5 4 3 2 1

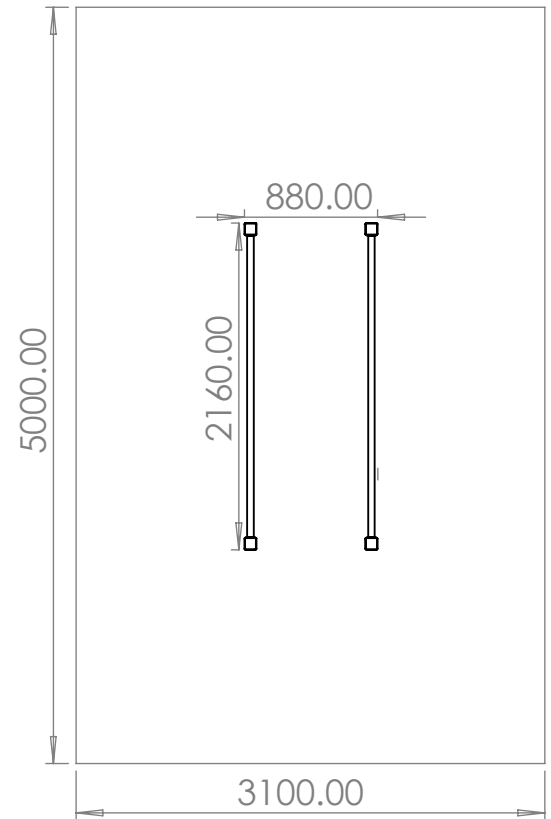
D

Safer Surfacing Recommendations - Parallel Bars

Area = 15.5 Sq.m
Depth = 50mm

D

C



C

B

B

A

A

6 5 4 3 2 1