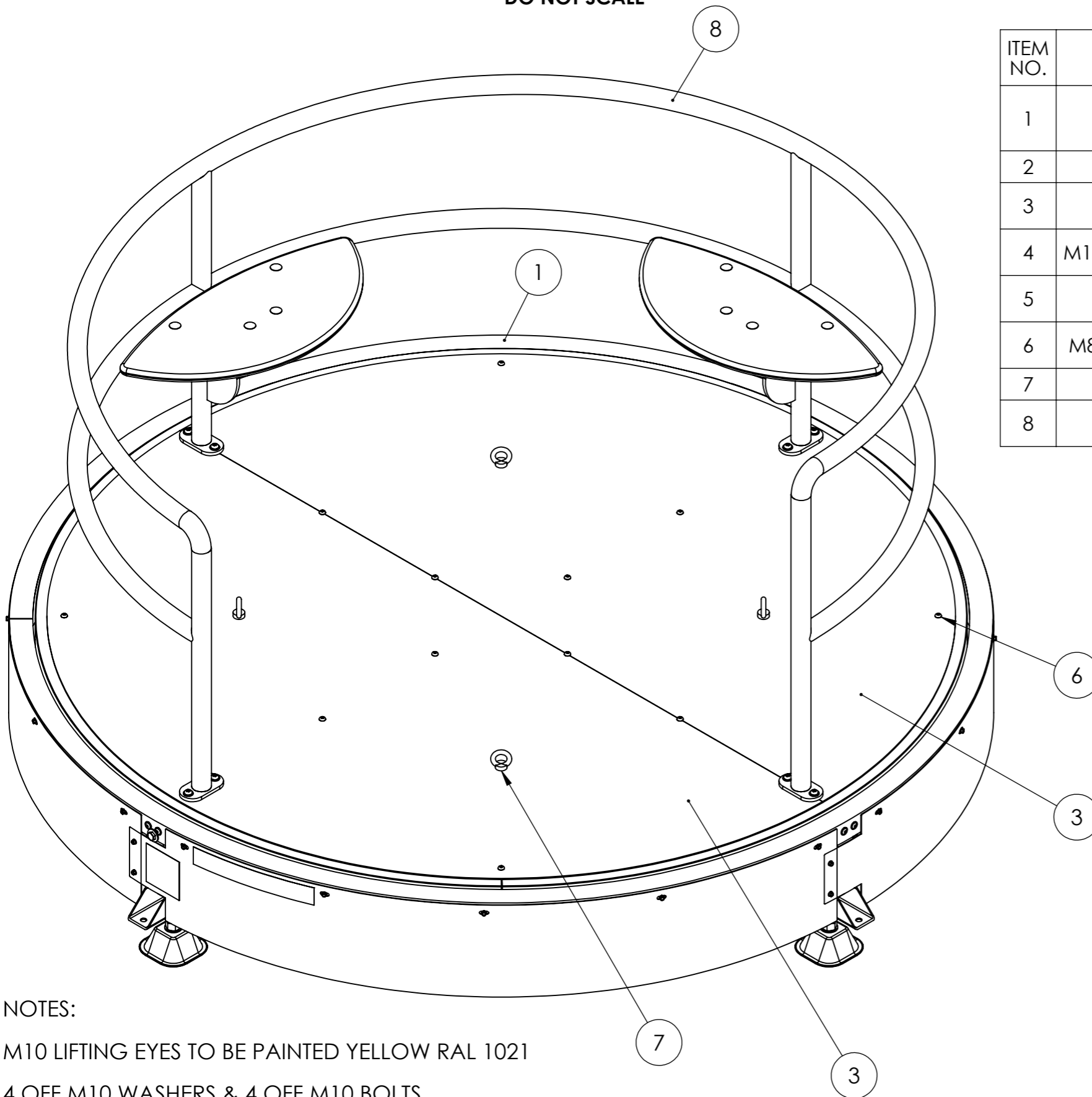
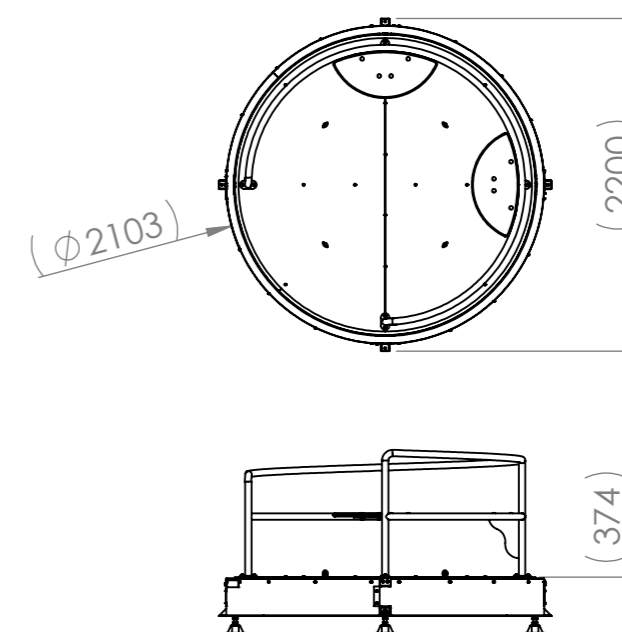


DO NOT SCALE

IF IN DOUBT ASK



| ITEM NO. | PART NUMBER | DESCRIPTION | QTY. |
|----------|--|--|------|
| 1 | INRO1 | INCLUSIVE ROUNDABOUT ASSEMBLY | 1 |
| 2 | M10_HEX_NUTSERT_BLIND_RIVET_NUT | M10 HEX HEAD NUTSERT | 8 |
| 3 | INRO1BB-1 | ROUNDABOUT TREADPLATE | 2 |
| 4 | M10x30_BUTTON_HEAD_SECURITY_SCREW_ISO_7380 | M10x30 BUTTON HEAD SECURITY SCREW | 4 |
| 5 | M10_PLAIN_WASHER_FORM_A_BS4320 | M10 PLAIN WASHER FORM A BS4320 | 4 |
| 6 | M8x30_BUTTON_HEAD_SECURITY_SCREW_ISO_7380 | M8x30 BUTTON HEAD SECURITY SCREW | 12 |
| 7 | M10x1_5_LIFTING_EYE_BOLT | M10 LIFTING EYE | 4 |
| 8 | INRO1BB-2 | BLUEBERRY ROUNDABOUT HANDRAIL ASSEMBLY | 1 |



NOTES:

M10 LIFTING EYES TO BE PAINTED YELLOW RAL 1021

4 OFF M10 WASHERS & 4 OFF M10 BOLTS NOT SHOWN & TO BE FREE ISSUED & PLACED IN SEALED BAG FOR SHIPPING

BLUEBERRY DESIGN
APPROVED FOR MANUFACTURE

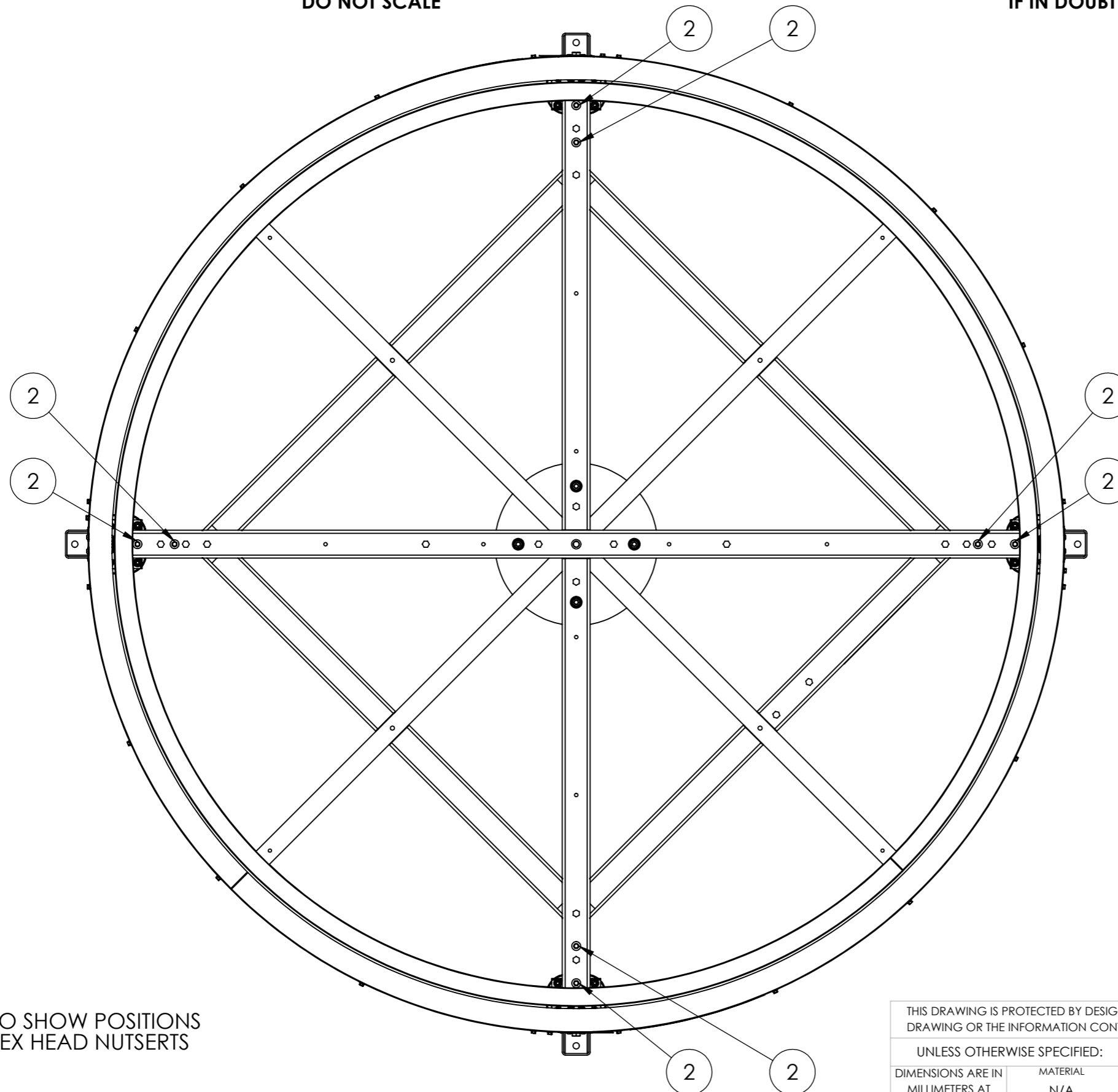
D:\ENGINEERING\DRAWING OFFICE\CURRENT\PRODUCTS\BBA-BLUEBERRY AMMENITIES\PLAYGROUND EQUIPMENT\ROUNDABOUTS\INRO-INCLUSIVE ROUNDABOUTS\INRO1\CAD FILES\INRO1BB\

THIS DRAWING IS PROTECTED BY DESIGN RIGHT AND COPYRIGHT. COPYING THIS DRAWING IN ANY PART, OR DISCLOSURE OF THE DRAWING OR THE INFORMATION CONTAINED IN IT TO ANY THIRD PARTY IS FORBIDDEN WITHOUT PRIOR WRITTEN CONSENT FROM BLUEBERRY.

| | | | | |
|---|------------------------|---|---|---------------|
| UNLESS OTHERWISE SPECIFIED: | | BREAK ALL SHARP EDGES AND CHAMFER ALL THREADS | | SCALE 1:10 |
| DIMENSIONS ARE IN MILLIMETERS AT 20°C (60°F) TOLERANCES ARE: | MATERIAL N/A | DRAWN BY EM | DWG NUMBER INRO1BB | REV |
| X ± 1 | FINISH N/A | DRAWN DATE 14/03/2022 | TITLE BLUEBERRY INCLUSIVE ROUNDABOUT | SHEET 1 OF 2 |
| X.X ± 0.5 | WEIGHT(KG) 271.09 | APPROVED BY RW |  Run. Spin. Climb. Swing. Play. | |
| X.XX ± 0.25 | DRAWING PER BS 8888 | ISSUE REASON MANUFACTURE | | |
| ANGLES ± 1.0° | THIRD ANGLE PROJECTION | ISSUE DATE 14/03/2022 | | |

DO NOT SCALE

IF IN DOUBT ASK



NOTES:

PARTS HIDDEN TO SHOW POSITIONS OF 8 OFF M10 HEX HEAD NUTSERTS

| | | | | |
|--|------------------------|---|---|---------------|
| THIS DRAWING IS PROTECTED BY DESIGN RIGHT AND COPYRIGHT. COPYING THIS DRAWING IN ANY PART, OR DISCLOSURE OF THE DRAWING OR THE INFORMATION CONTAINED IN IT TO ANY THIRD PARTY IS FORBIDDEN WITHOUT PRIOR WRITTEN CONSENT FROM BLUEBERRY. | | | | |
| UNLESS OTHERWISE SPECIFIED: | | BREAK ALL SHARP EDGES AND CHAMFER ALL THREADS | | SCALE 1:10 |
| DIMENSIONS ARE IN MILLIMETERS AT 20°C (60°F) TOLERANCES ARE: | MATERIAL N/A | DRAWN BY EM | DWG NUMBER INRO1BB | REV |
| X ± 1 | FINISH N/A | DRAWN DATE 14/03/2022 | TITLE BLUEBERRY INCLUSIVE ROUNDABOUT | SHEET 2 OF 2 |
| X.X ± 0.5 | WEIGHT(KG) 271.09 | APPROVED BY RW | | |
| X.XX ± 0.25 | DRAWING PER BS 8888 | ISSUE REASON MANUFACTURE | | |
| ANGLES ± 1.0° | | | ISSUE DATE 14/03/2022 | |